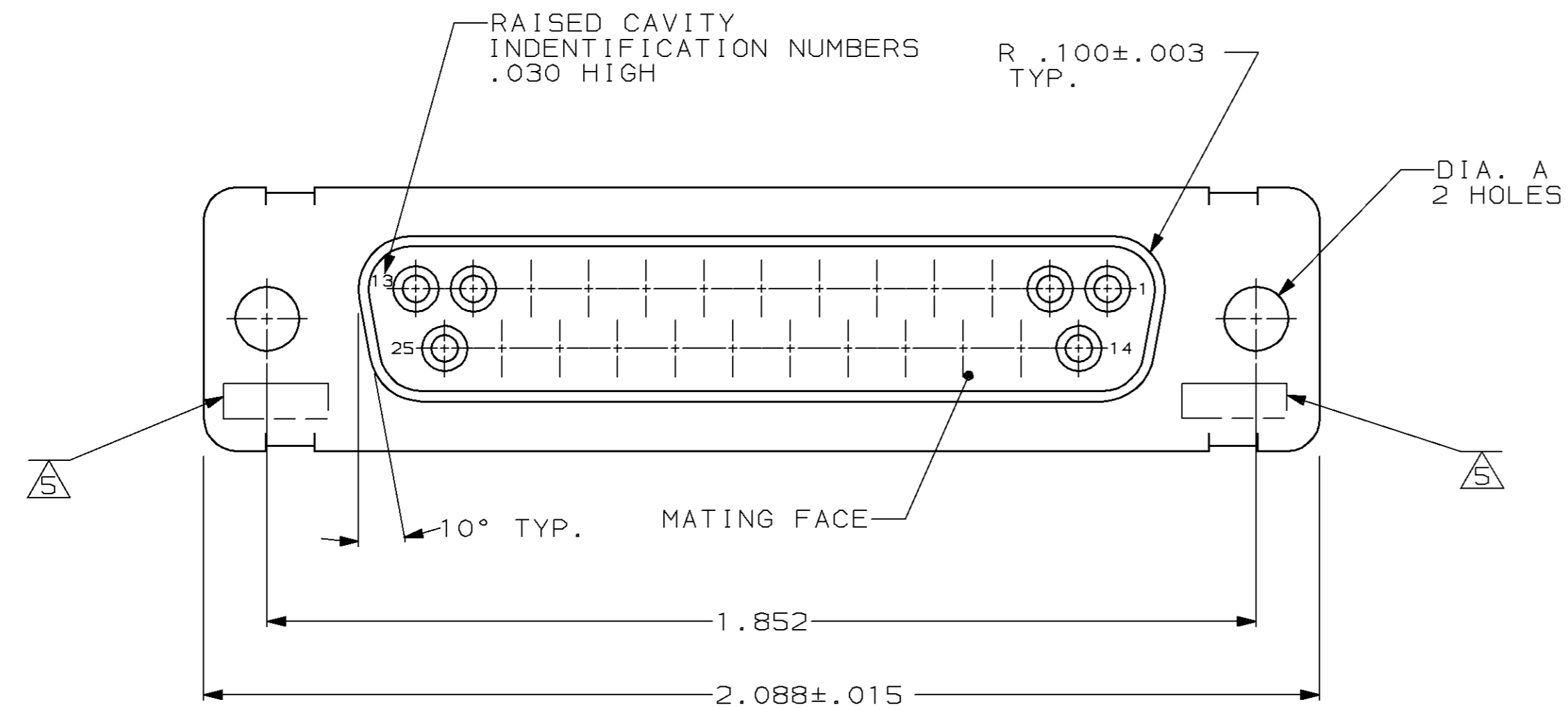
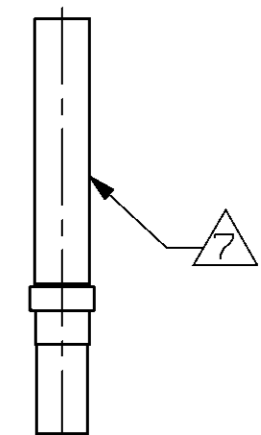
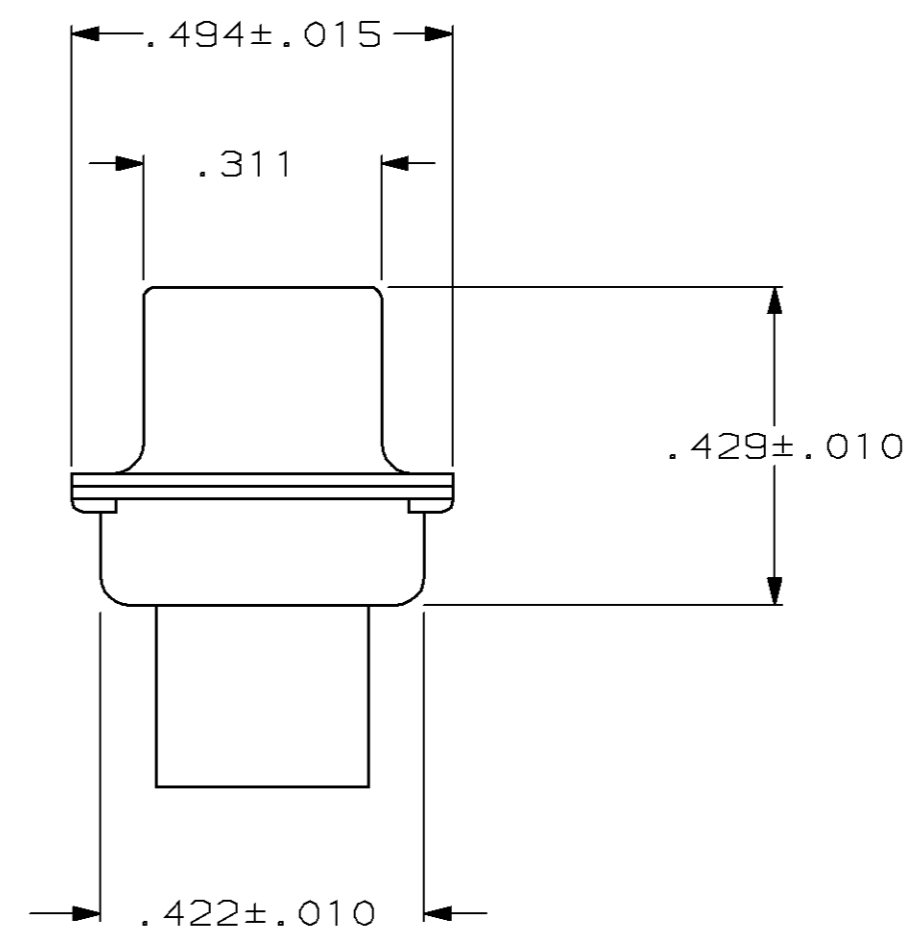
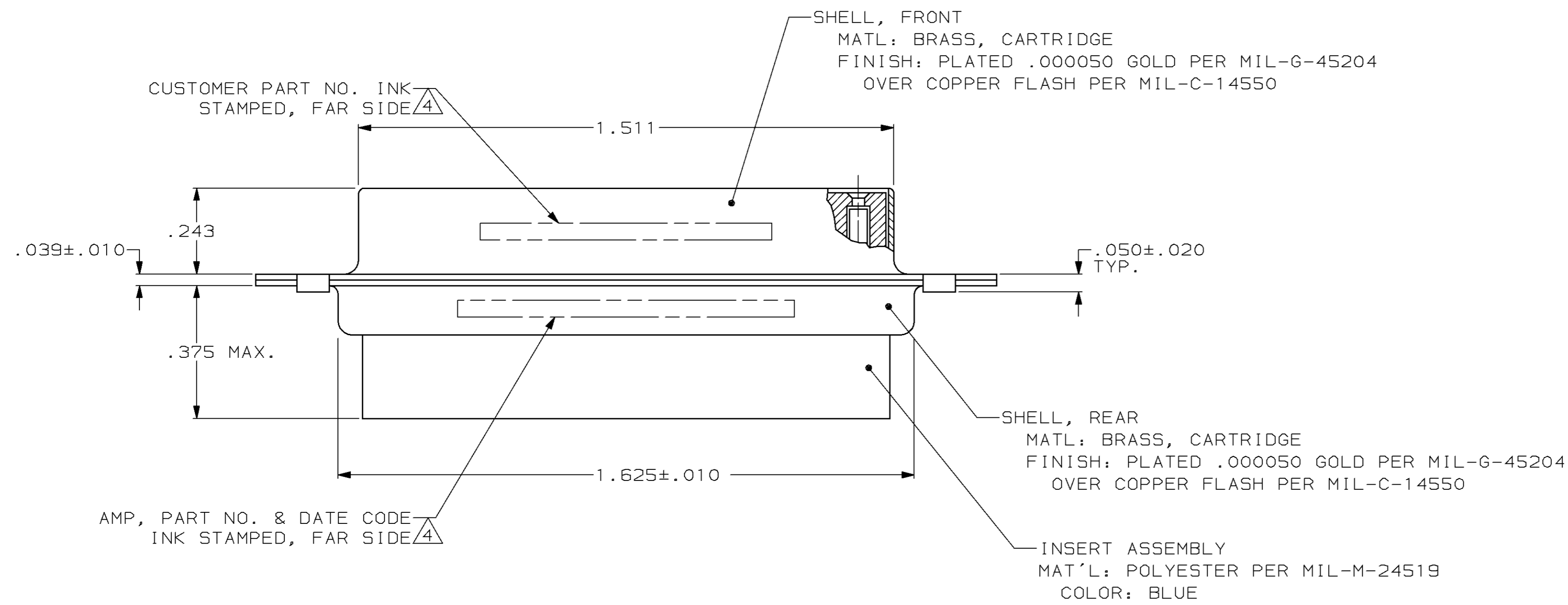


LOC		DIST		P		F		ZONE		LTR		REVISIONS				
DF	DO											DESCRIPTION	DATE	APPD		
												L	ADD -8 PER 0600-6698-97	CT	10-97	JW



1. THIS RECEPTACLE WILL MATE WITH ANY PLUG CONNECTOR WITH THE SAME INSERT ARRANGEMENT AS DEFINED BY MS18275-1.
 2. MAXIMUM WIRE INSULATION USED WITH THIS RCPT. IS .072 DIA. MAX.
 3. Be-Cu RETENTION CLIPS ARE INCLUDED IN INSERTS.
- ⚠️ 4. FAR SIDE REFERS TO WIDE SIDE OF KEYSTONE.
 - ⚠️ 5. UL/CSA DESIGNATION STAMPED IN THIS AREA, OPTIONAL
 - ⚠️ 6. THESE CONNECTORS ARE QUALIFIED TO GODDARD SPACE FLIGHT CENTER SPECIFICATION S-311-P-4.
 - ⚠️ 7. CONNECTOR SUPPLIED WITH CONTACTS, AMP PART NUMBER 206793-1; (NOT INSTALLED).



OBSOLETE	⚠️ 7	.120	LMSC 1621480-003	206801-8
		.120	LMSC 1621480-003	206801-7
		.120	2A014-008V-001	206801-4
		.154		206801-3
	⚠️ 6	.120	311P409-3S-B-12	206801-2
	⚠️ 6	.154	311P409-3S-B-15	206801-1
REMARKS	DIA A		INK STAMPED CUSTOMER P/N	INK STAMPED AMP P/N

DO NOT SCALE PRINT. UNLESS SPECIFIED DIMENSIONS IN INCHES TOLERANCES ON: 2 PLC DEC ± - 3 PLC DEC ± .005 ANGLES ± 0°30'	DR 1-3-89 M.CLOUSER CHK 1-24-89 T.CANTLIN APPD 1-26-89 A.EMADI M.CLOUSER	AMP AMP INCORPORATED Harrisburg, Pa. 17105 NAME RECEPTACLE FOR SOCKET CONTACTS, HI-DENSITY "HDM" CONNECTOR SIZE #3, 25 POS. (NON-MAGNETIC)		
SEE CALLOUTS	PRODUCT SPEC -			
FINISH SEE CALLOUTS	APPLICATION SPEC -	SIZE D	FSCM NO 00779	DRAWING NO 206801
	WEIGHT -	SCALE 4:1		SHEET 1 OF 1